



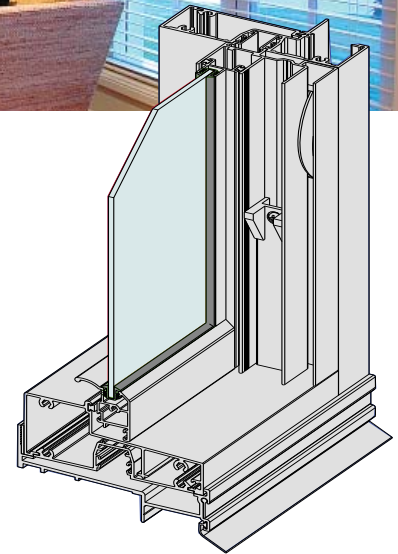
# Series 453 Residential Double-Hung Window into Commercial Framing



## DESIGN FEATURES

- Vertical sliding double-hung sashes inlaid directly into commercial framing.
- Flyscreens tuck into dedicated recess in the jamb inlay adaptor, supported with concealed nylon clips.
- Complies with AS2047. High water resistance 200Pa.
- Sashes will bypass each other to allow cleaning of all glass from inside the building.
- Custom heavy duty key lockable catch with die cast keeper.
- Sashes will accept glass up to 6.76mm thick.
- Standard 30mm nailing fin jamb as illustrated right or alternative 44mm wide jamb.
- Fixed lowlights can be glazed from the inside in elevated situations by reversing the removable glazing beads and fitting custom captive wedge to the outside.
- Nailing fin frame makes the product suitable for cavity brick and brick veneer construction.
- Matching horizontal sliding sashes into commercial framing, refer Series 452.
- For a higher performing heavy duty double-hung window, refer Series 463.
- Dedicated 90° and 135° couplers.

All of these and more features can be seen on our web site [awsaustralia.com.au](http://awsaustralia.com.au)



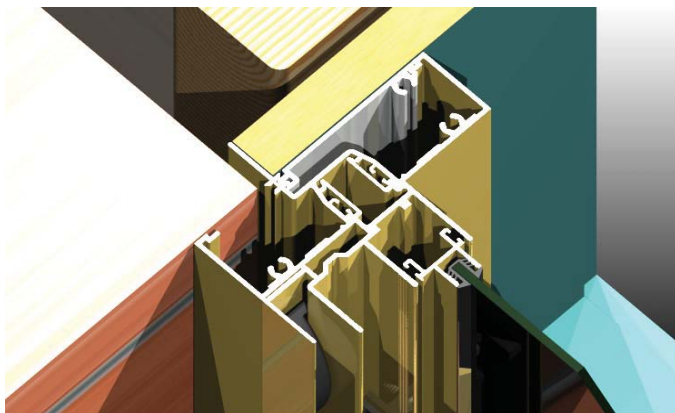
3D & 2D CAD FILES AVAILABLE



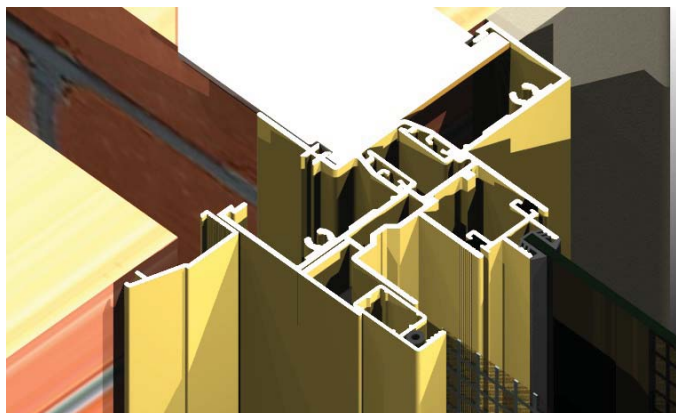
PRODUCT INFORMATION AVAILABLE AT  
[WWW.AWSCOMMERCIAL.COM.AU](http://WWW.AWSCOMMERCIAL.COM.AU)



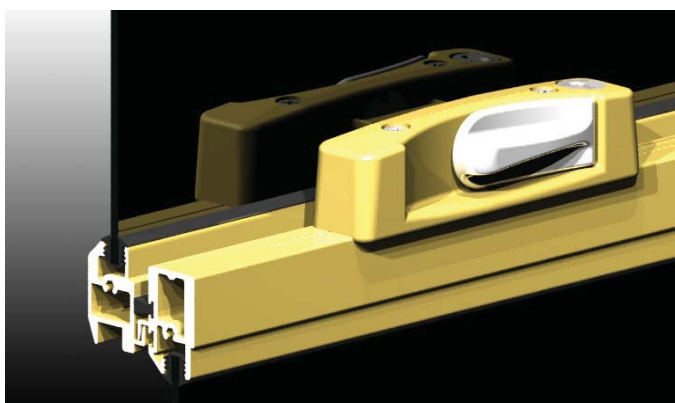
SPECIFIER ASSISTANCE AVAILABLE



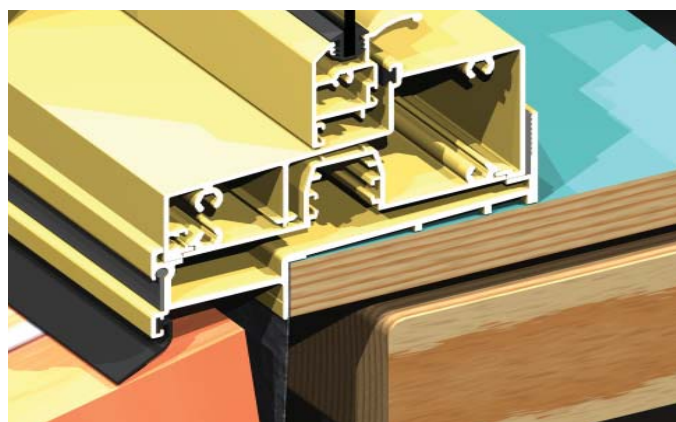
A major feature with Series 453 is the frame with in-built nailing fin (weather bar). This makes installation into cavity brick with height adjustable building-in lugs and into brick veneer walls with timber reveals as shown above possible. The standard jamb is 102 x 30mm, we also offer 102 x 44mm jamb and again with the nailing fin feature. Nailing fins may not sound that important but this built-in weather bar is what stops water traveling from the outer brick skin to the inner wall.



The illustration above shows how the frame is secured into cavity brick wall with height adjustable building-in lugs that lock into the frame. Again the nailing fin (weather bar) protects the inner wall from water intrusion. This picture also shows the flyscreen nesting into the frame recess. Screen secured with custom nylon spring clips that keep the screen on centre and prevents rattling.



We have designed a completely new lock for this window. Roll the chrome handle over 180 ° to lock/unlock. This illustration also shows the heavy meeting stiles used on Series 543 double-hung windows.



Sub-sills are standard on Series 453. The sub-sill has several significant features:

- Full flashing tray guides any water that gets into the window back to the outside.
- Our custom sub-sill designed for cavity brick and brick veneer construction has built-in nailing fin to allow sill timber reveal fixing.
- The PVC flap on the outer edge of the sub-sill caters for stud wall settlement on brick veneer construction.
- Sub-sill fitted with co-extruded Santoprene drain hole cover flap to prevent blow back under extreme situations.
- Sub-sill is also stop ended to guide water back to the front.



2D & 3D CAD FILES AVAILABLE  
GO TO: [www.awscommercial.com.au](http://www.awscommercial.com.au) >  
CAD & Revit 3D Files  
CAD file: *DWG or DXF* AWS\_AWS\_453\_I

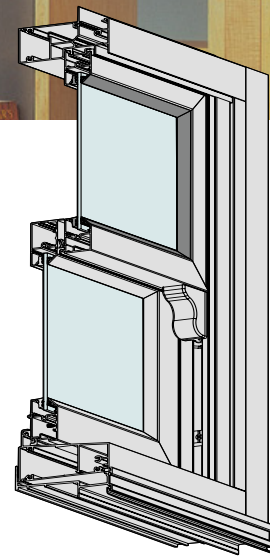


MORE INFORMATION  
For the latest updates regarding  
this product visit our website  
[www.awscommercial.com.au](http://www.awscommercial.com.au)



### DESIGN FEATURES

- This 102mm thick commercial grade double-hung window has been designed with bold frame lines and 30mm thick (strong) sashes that can carry heavy glass including 20mm thick double glazing.
- The perimeter frame has been designed to make installation into brick veneer and cavity brick easier with built-in nailing fins (weather bars). The sub-sill that comes with this window also has a built-in nailing fin.
- Extra strong sashes allow large sash windows to be fabricated for high wind load areas.
- 102mm x 44mm head and sill, 102mm x 30mm jamb, 44mm mullion and matching 44mm transoms.
- Both sashes can be hinged back into the room to allow cleaning of both sides of the glass from inside, without removing the fly screen.
- Sashes can be secured with custom key or non-key locking cam handle.
- When windows have a powder coat finish the lower corners on the top sash are fitted with die cast horns as standard..
- Double-hung windows can be fitted with external flyscreens within the frame line, no turn buckles required.
- 90° and 135° corner mullions for box and bay windows available.
- Sashes will accept a variety of glass thicknesses from 4mm single panes to 20mm insulating glass units.
- Successfully tested for compliance and drainage at 450Pa water resistance.



|                         |        |
|-------------------------|--------|
| Maximum Panel Height    | 1010mm |
| Maximum Panel Width     | 1510mm |
| Maximum Glass Thickness | ≤ 20mm |

*Subject to individual site conditions. Contact AWS Technical Support for more information.*



WERS RATED PRODUCT



3D & 2D CAD FILES AVAILABLE

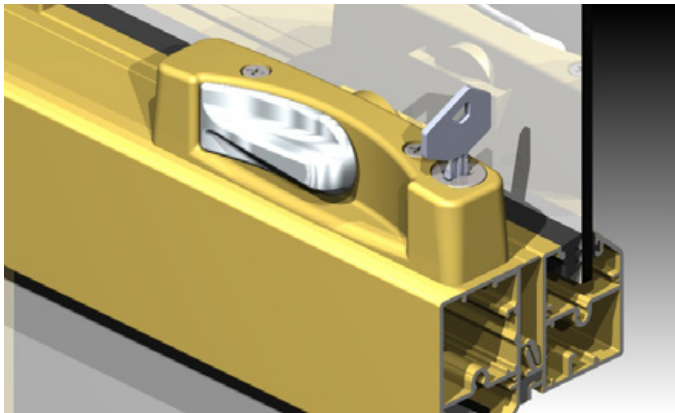


PRODUCT INFORMATION AVAILABLE AT  
[WWW.AWSCOMMERCIAL.COM.AU](http://WWW.AWSCOMMERCIAL.COM.AU)

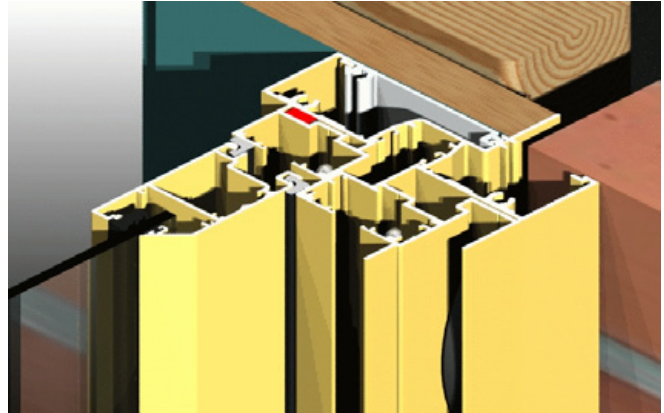


SPECIFIER ASSISTANCE AVAILABLE





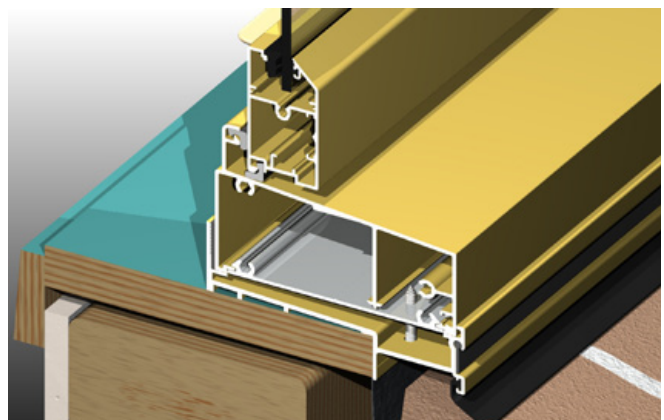
We have designed a completely new lock for this window. Roll the chrome handle over 180° to lock/unlock. The bold 30mm thick sashes have been designed to accept a variety of glass thicknesses from 4mm to 20mm thick.



A major feature with Series 463 is the frame with in-built nailing fin (weather bar). This makes installation into cavity brick with height adjustable building-in lugs and into brick veneer walls with timber reveals as shown above possible. The standard jamb is 102 x 30mm as shown above, we also offer 102 x 44mm jamb and again with the nailing fin feature. Nailing fins may not sound that important but this built-in weather bar is what stops water traveling from the outer brick skin to the inner wall.



Both sashes can be tilted back into the room to allow cleaning of the glass from inside. This could be a major advantage if the windows were out of reach on the outside – no scaffolding or ladders required. No need to remove the flyscreens to clean the glass.



Sub-sills are standard on Series 463. The sub-sill has several significant features:

- Full flashing tray guides any water that gets into the window back to the outside.
- Our custom sub-sill designed for cavity brick and brick veneer construction has built-in nailing fin to allow sill timber reveal fixing.
- The PVC flap on the outer edge of the sub-sill caters for stud wall settlement on brick veneer construction.
- Sub-sill fitted with co-extruded Santoprene drain hole cover flap to prevent blow back under extreme situations.
- Sub-sill is also stop ended to guide water back to the front.



2D & 3D CAD FILES AVAILABLE  
GO TO: [www.awscommercial.com.au](http://www.awscommercial.com.au) >  
CAD & Revit 3D Files  
CAD file: *DWG or DXF AWS\_463\_1*



MORE INFORMATION  
For the latest updates regarding  
this product visit our web site  
[www.awscommercial.com.au](http://www.awscommercial.com.au)